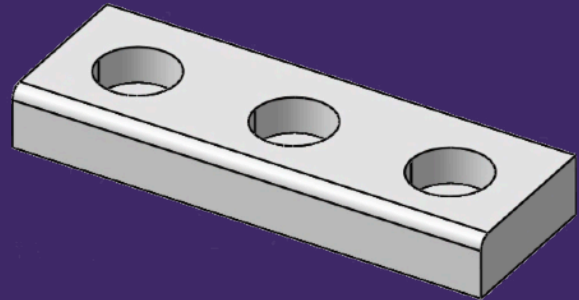
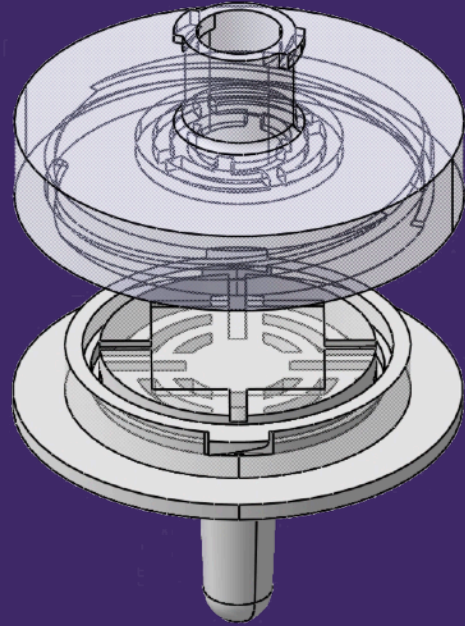


User Manual



ViTEST Mark I



Components:

BD 1ml Syringe

Luer-Lok™ Tip

Micro-needle patch

ER Buffer

MN Capsule (P1,P2)

TwistAmp® Basic

Test discs

Plastic dropper

Standard Protocol for ViTest Mark I:

1. Screw open a MN Capsule, open a pack of a Micro-needle patch, peel the protection cover from the flat side of the patch, stick it in the square groove on MN Capsule Part 1, and peel the other side of the protection cover.
2. Stamp the leaf stem with the patch. Make sure the needles penetrate the leaf tissue.
3. Take 0.3ml of ER buffer using the syringe.
4. Screw MN Capsule Parts 1 and 2 together, then screw the head of part 1 to the tip of BD 1ml Syringe firmly.
5. Take out one tube of TwistAmp® Basic freeze-dried RPA reaction, inject the ER buffer into the tube through the MN Capsule.

6. Close the lid and let it react for 40 minutes. (It is recommended to incubate it at 37°C for 20 min)

7. Peel the protective cover of the disc holder (remember to keep the cover). Use a dropper to collect the product and distribute one droplet in each well.

8. Close the cover and wait for 90 minutes and check the results, face the side with the rounded edge towards you, the order of the well will be FD, BN and EC from left to right.

