

6

5

4

3

2

1

D

D

C

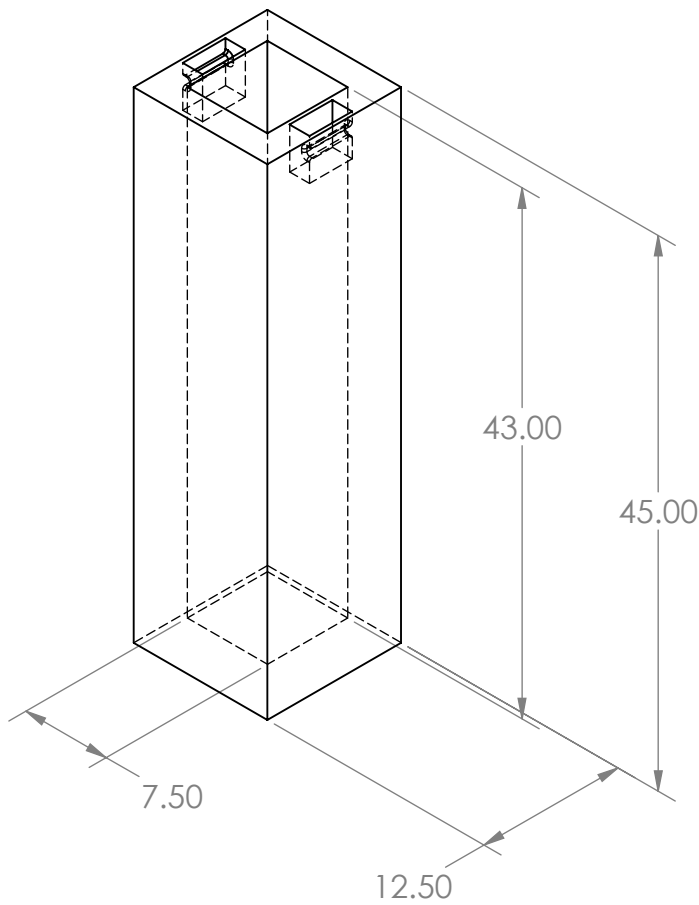
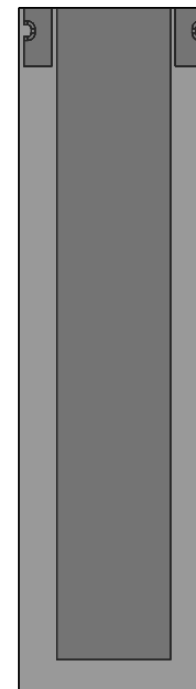
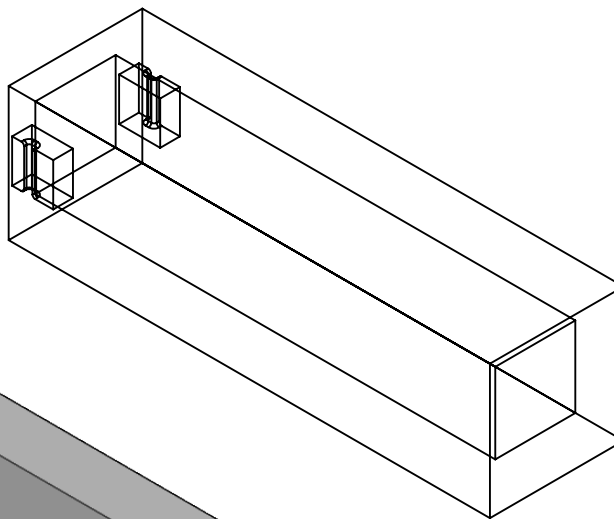
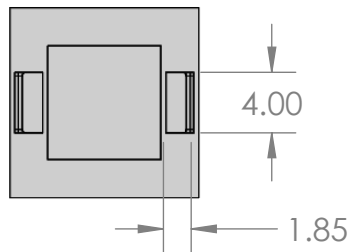
C

B

B

A

A



UNLESS OTHERWISE SPECIFIED: DIMENSIONS ARE IN MILLIMETERS SURFACE FINISH: TOLERANCES: LINEAR: ANGULAR:			FINISH:		DEBURR AND BREAK SHARP EDGES		DO NOT SCALE DRAWING		REVISION		
DRAWN			NAME		SIGNATURE		DATE		TITLE: Antibiotic biosensor reaction compartment		
CHK'D											
APP'VD											
MFG											
Q.A									MATERIAL: Clear Plastic Frosted finish		DWG NO.
									Cuvette part		A4
									WEIGHT: 4.56 grams		SCALE:2:1
											SHEET 1 OF 1

6

5

4

3

2

1