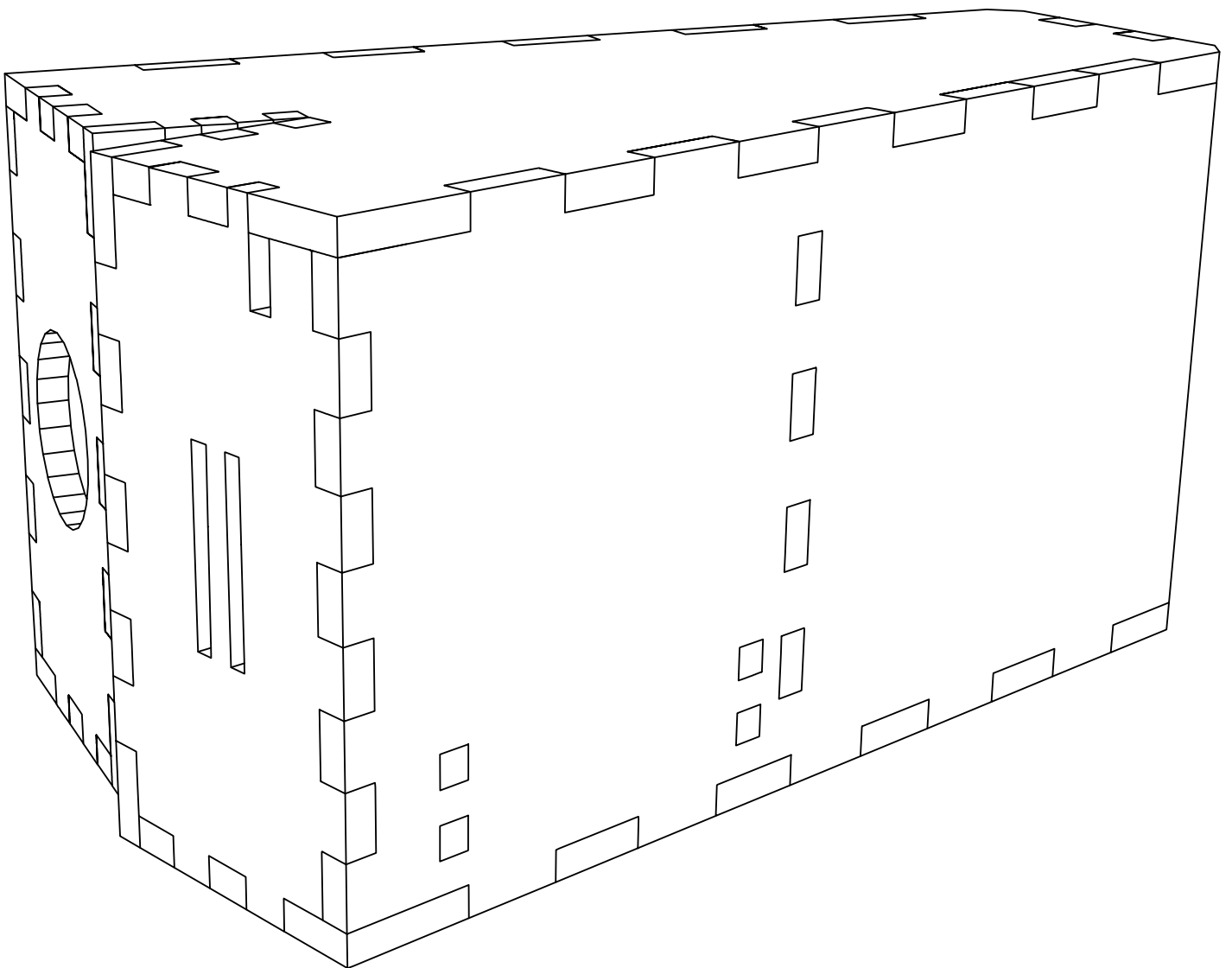
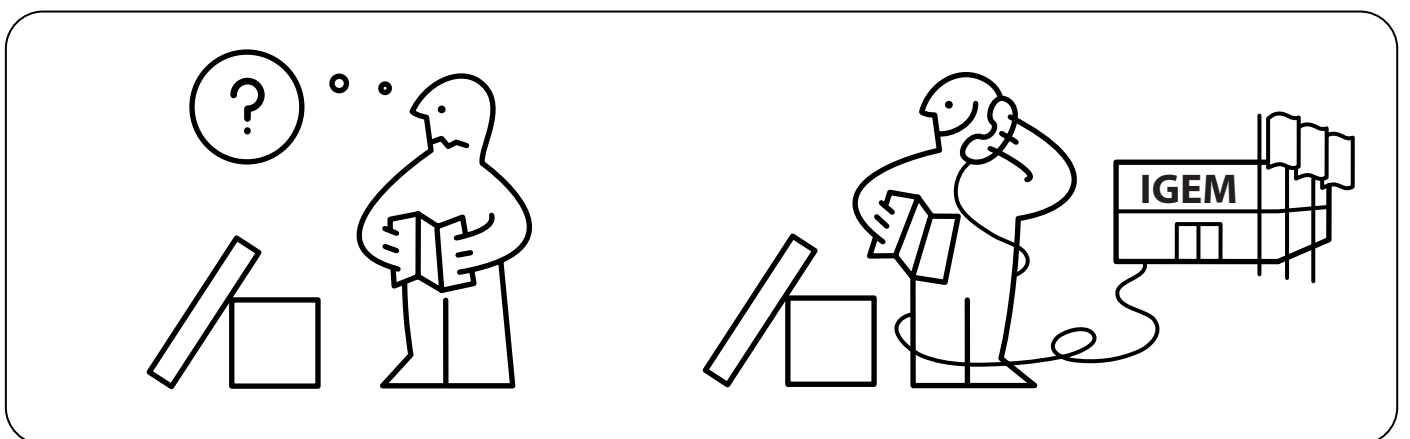
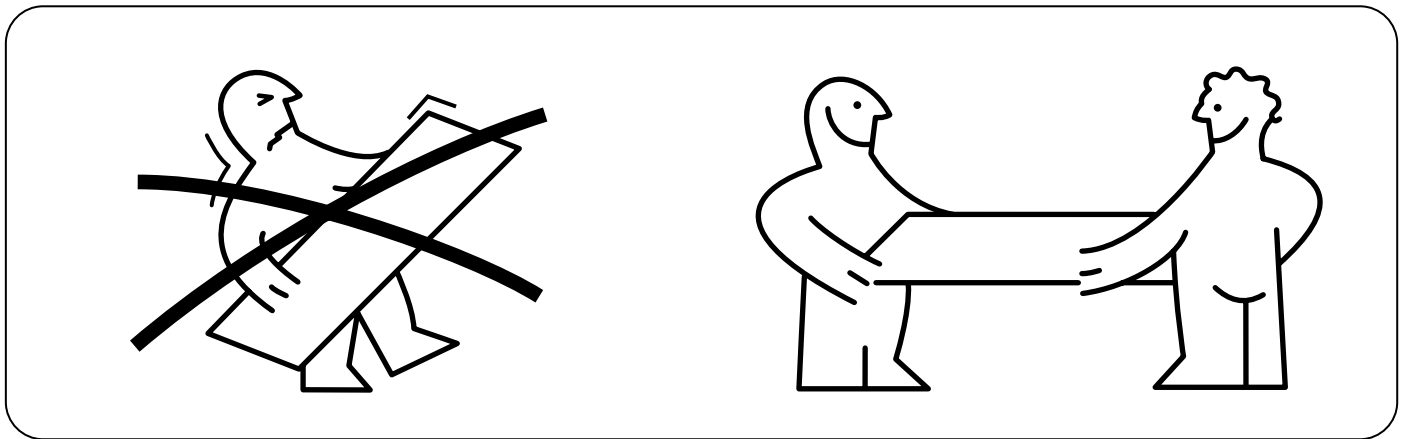
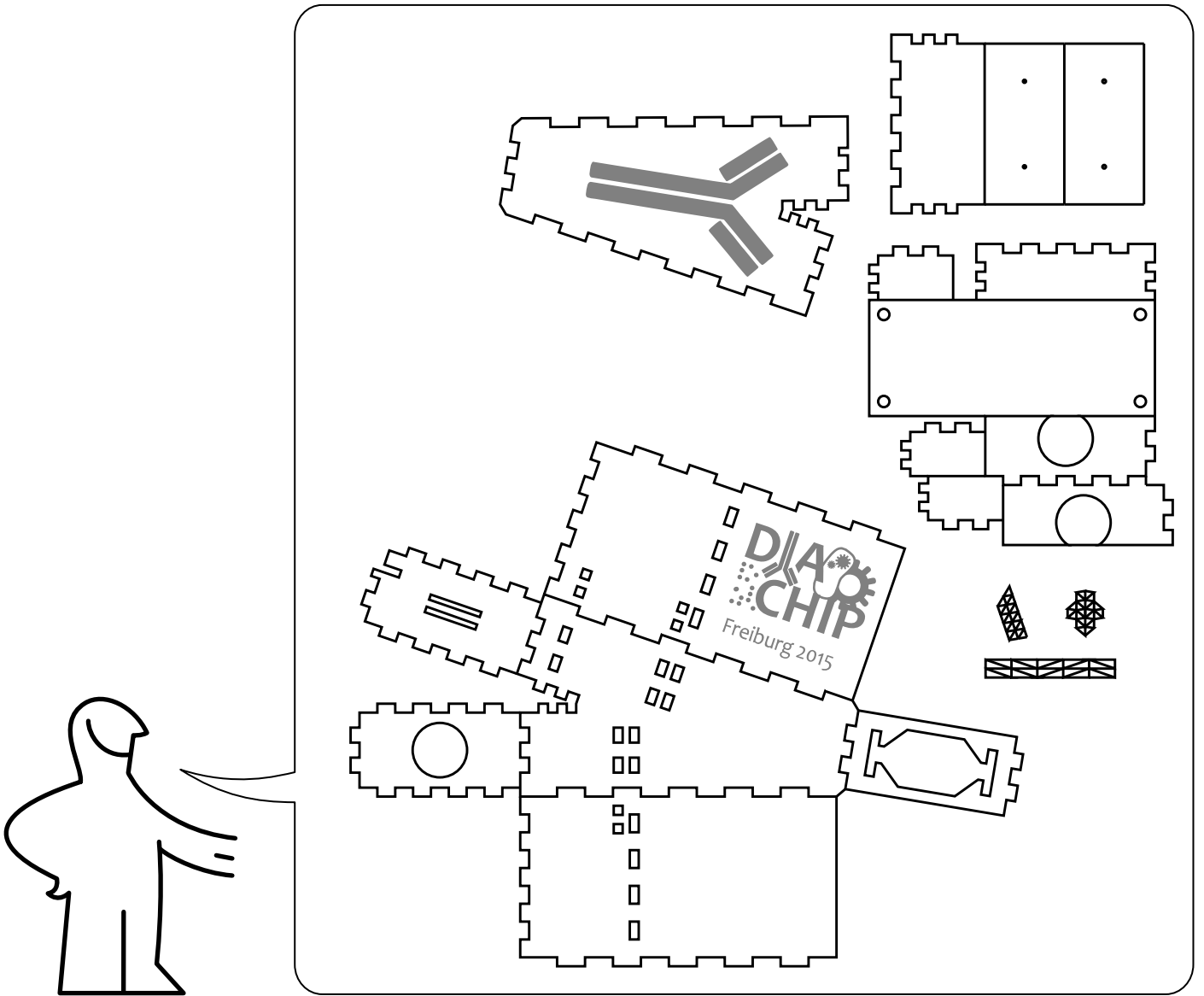
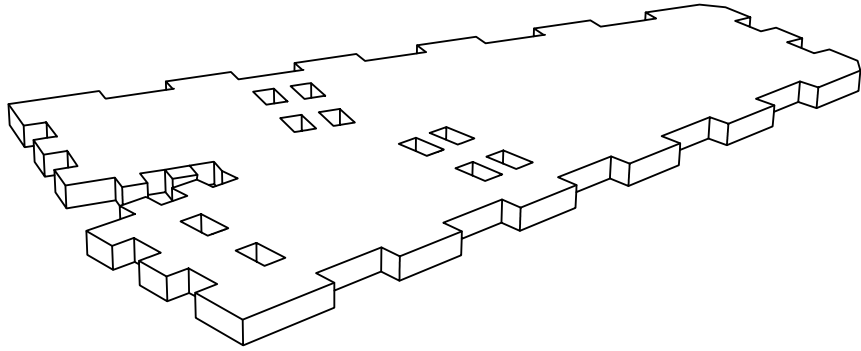


DIACHIP DEVICE

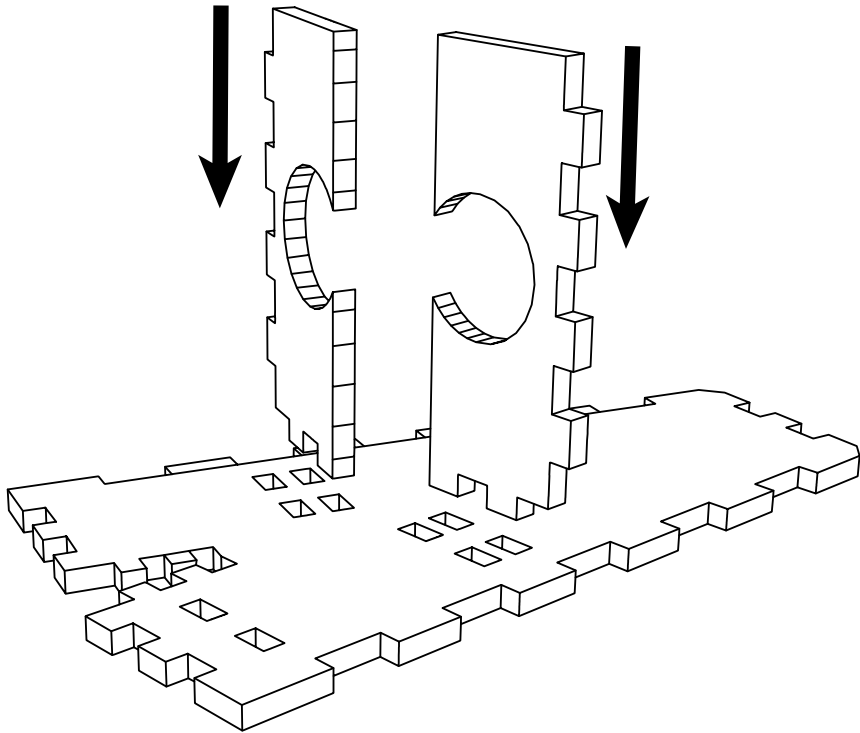




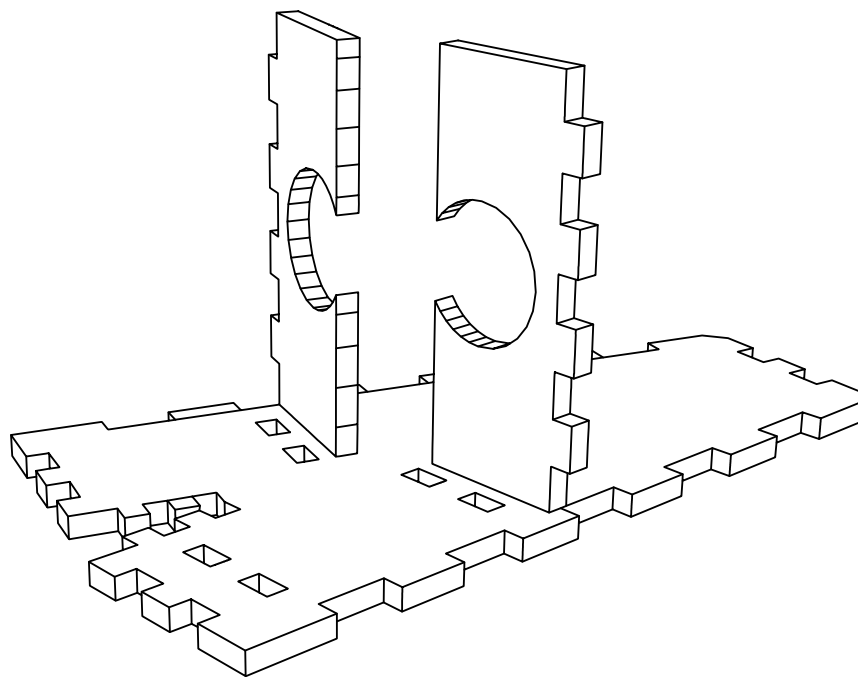
1



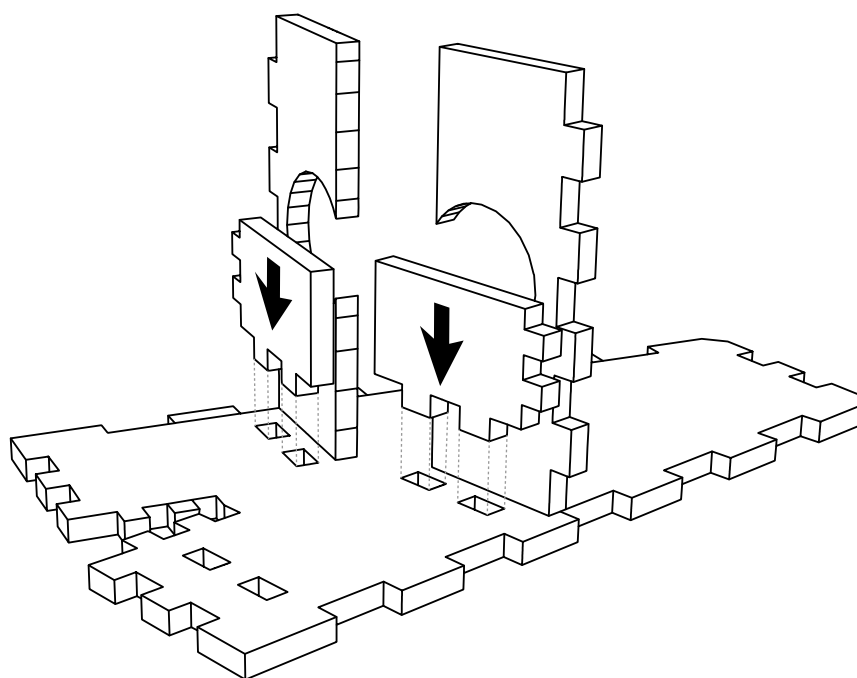
2



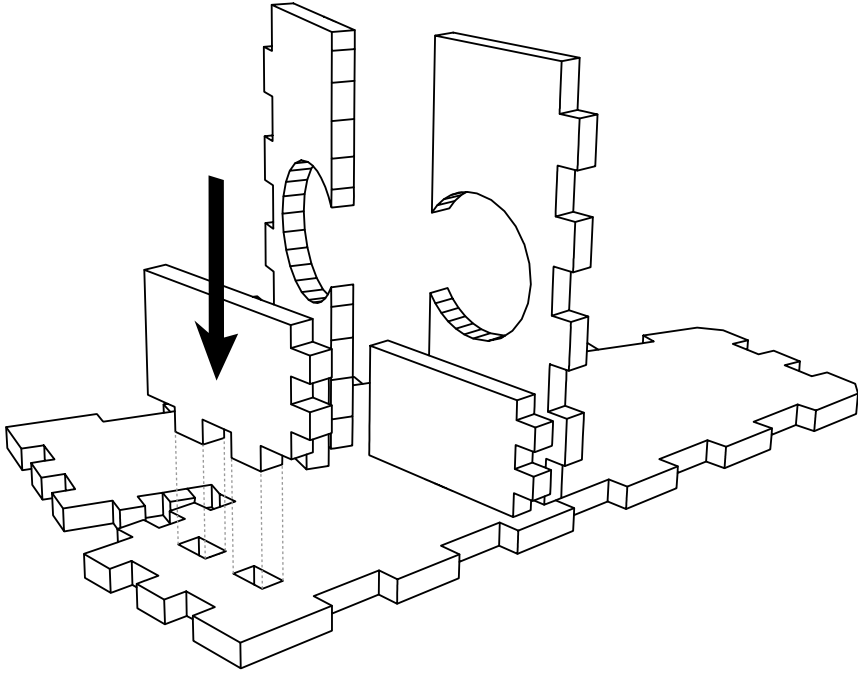
3



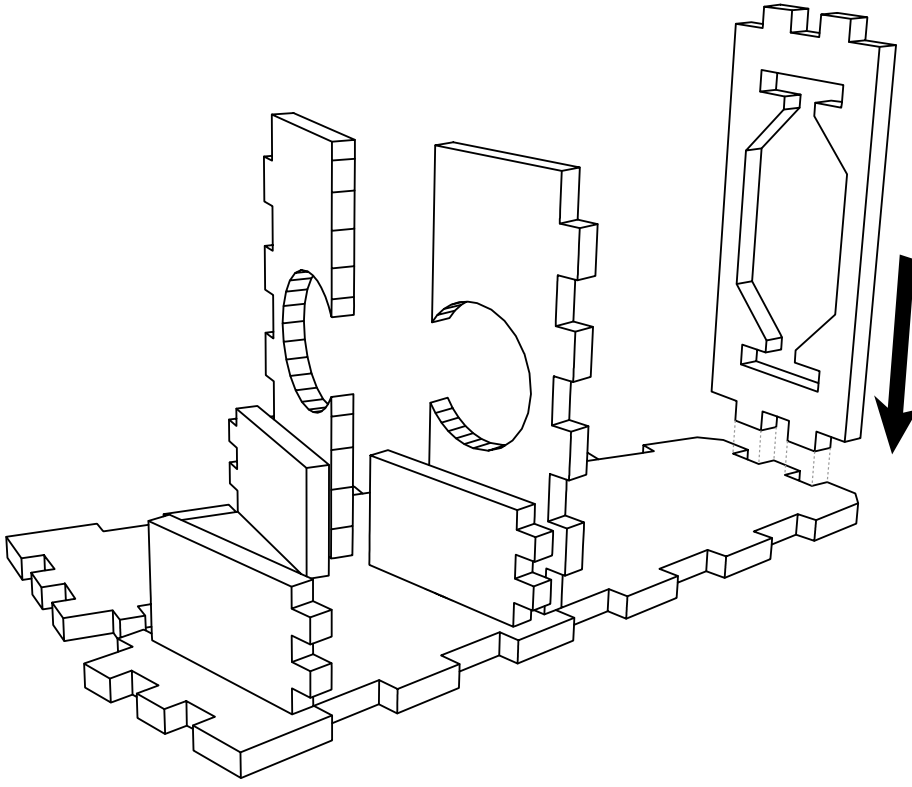
4



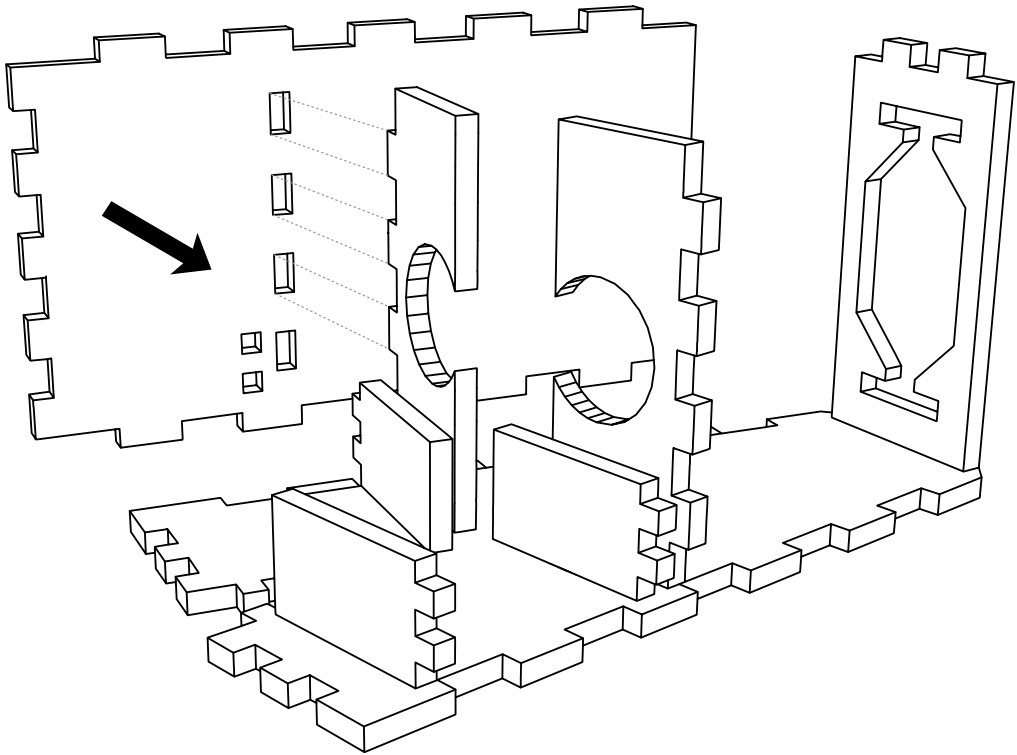
5



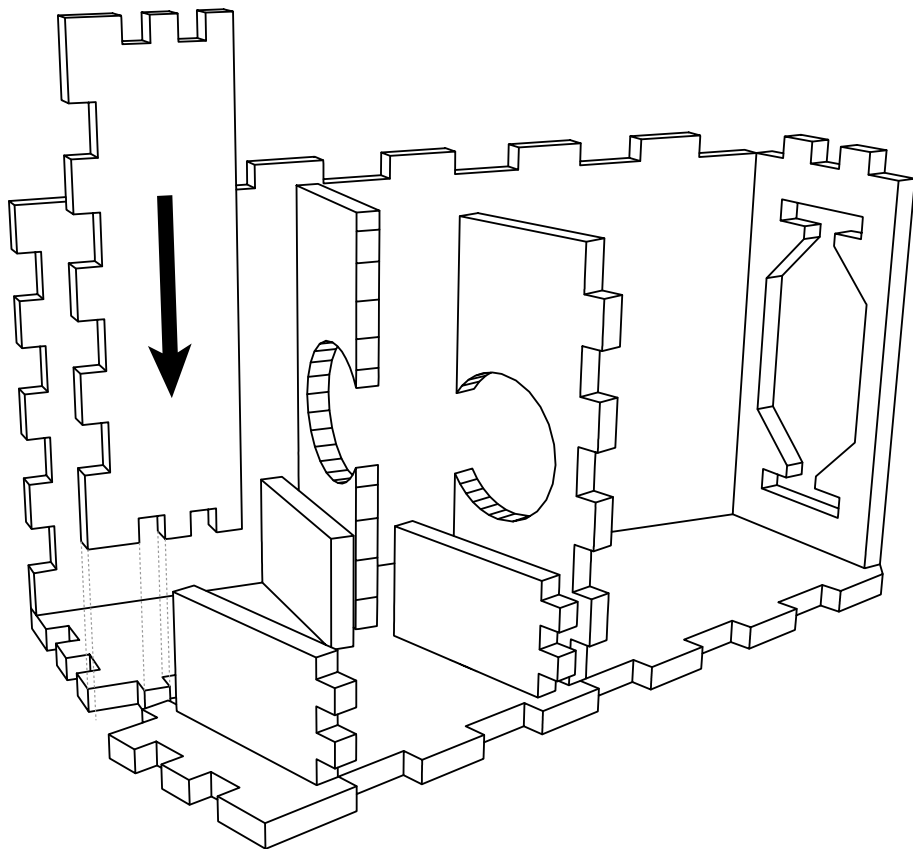
6



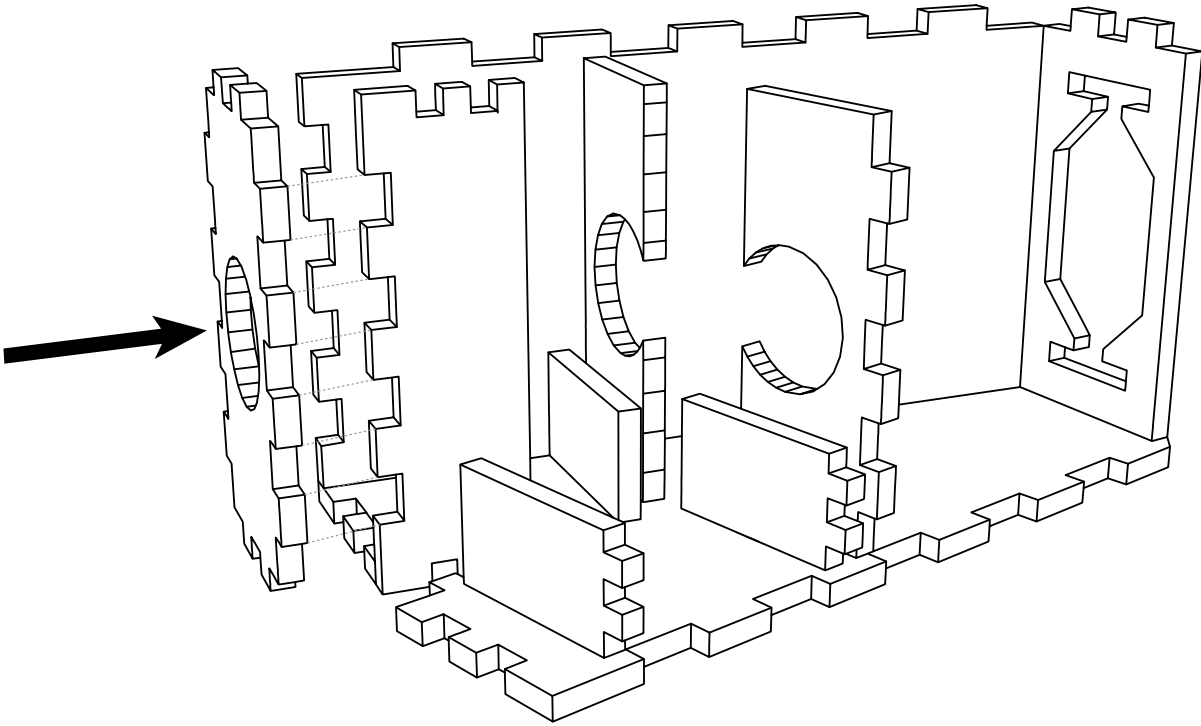
7



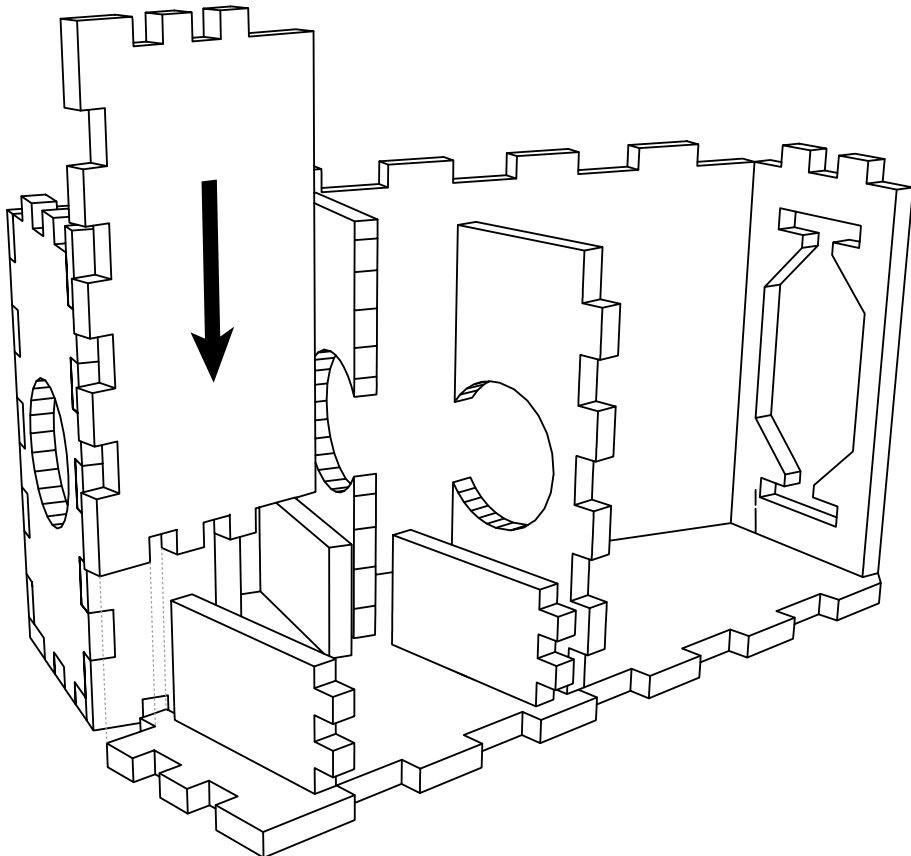
8



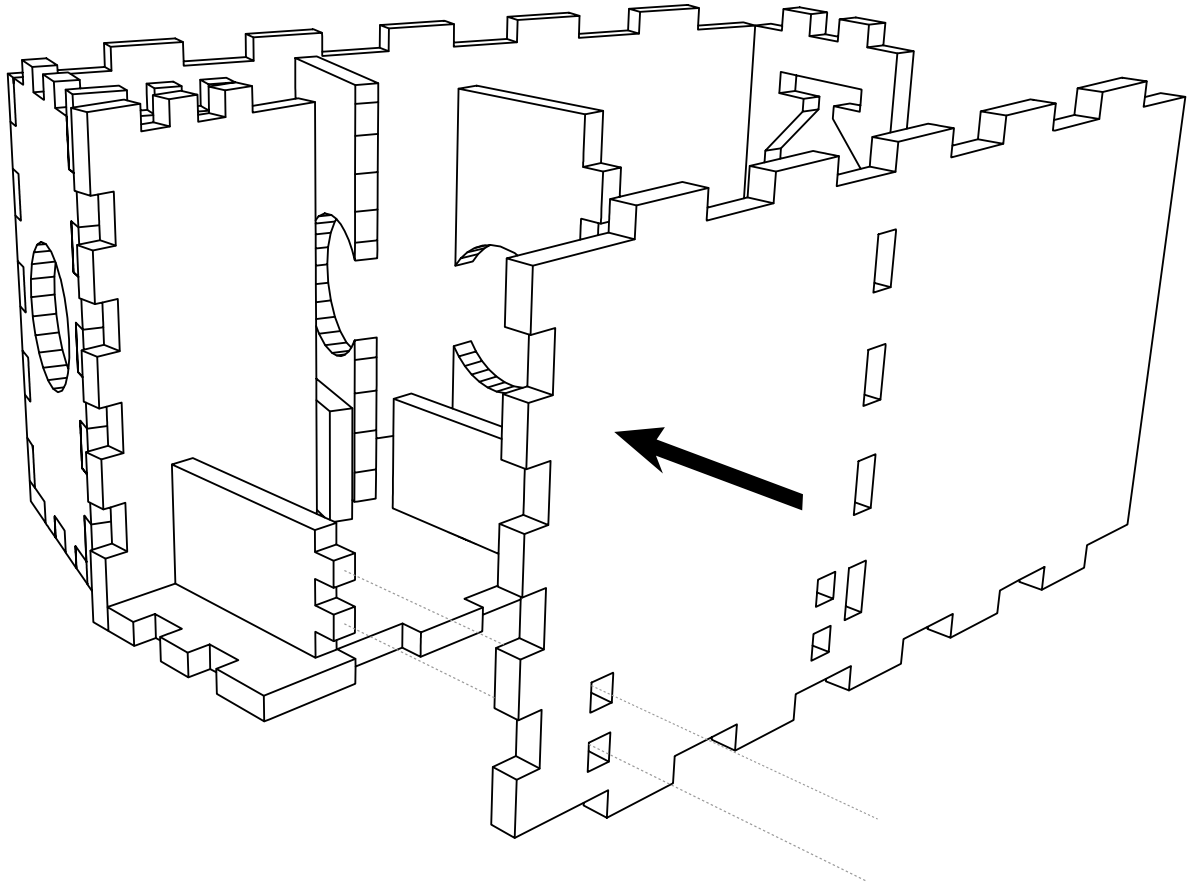
9



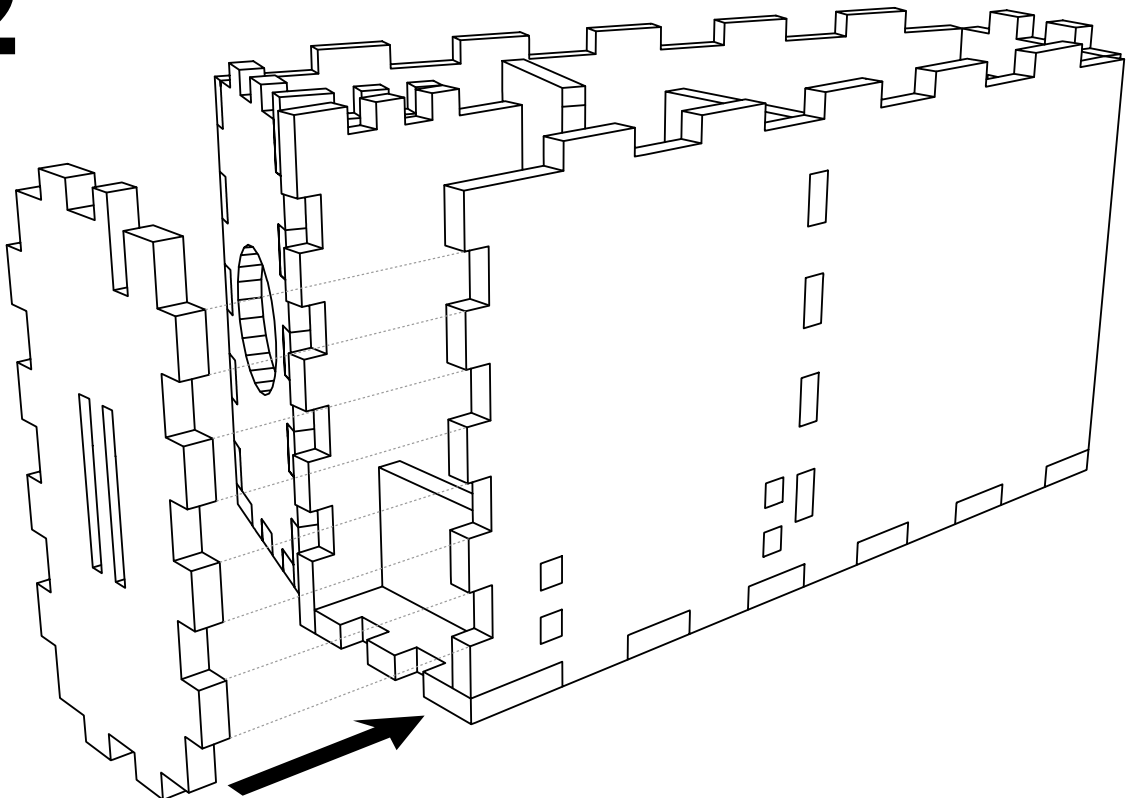
10



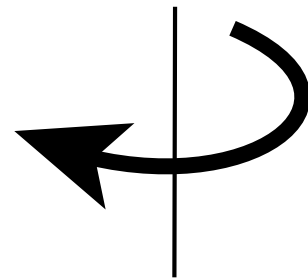
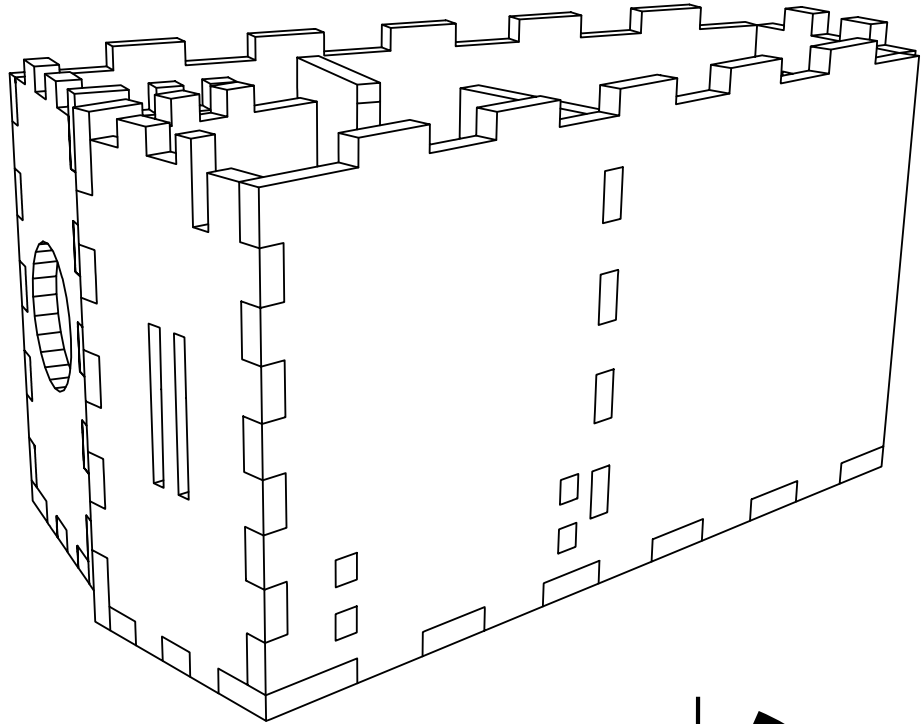
11



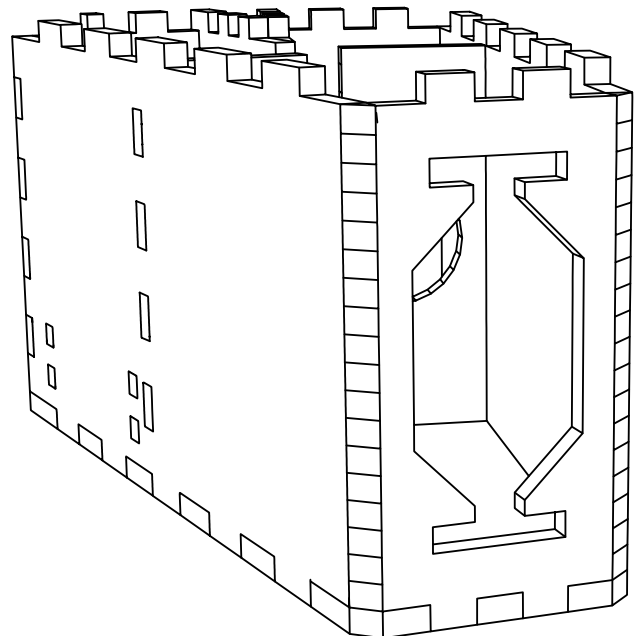
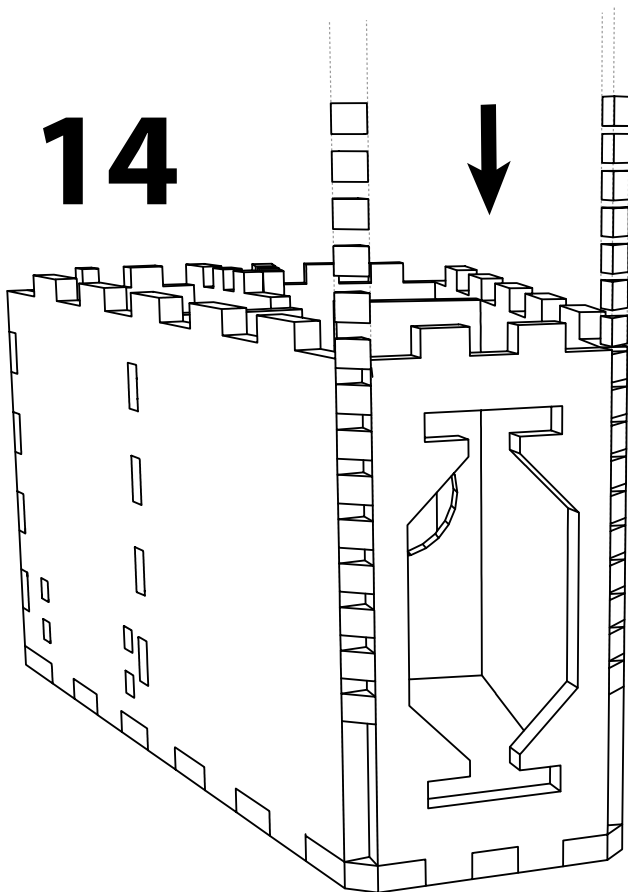
12



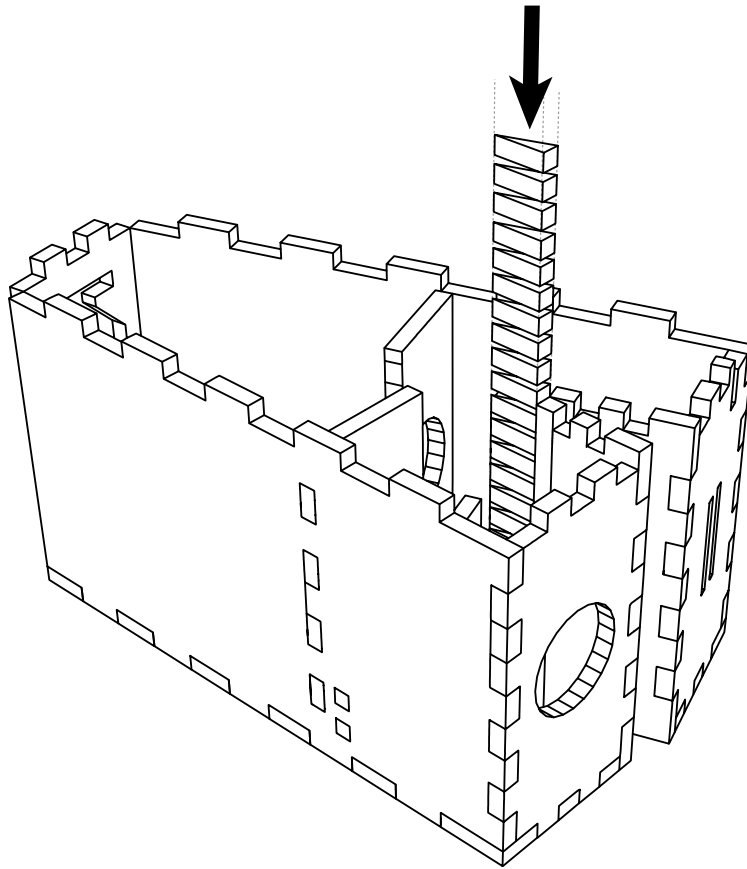
13



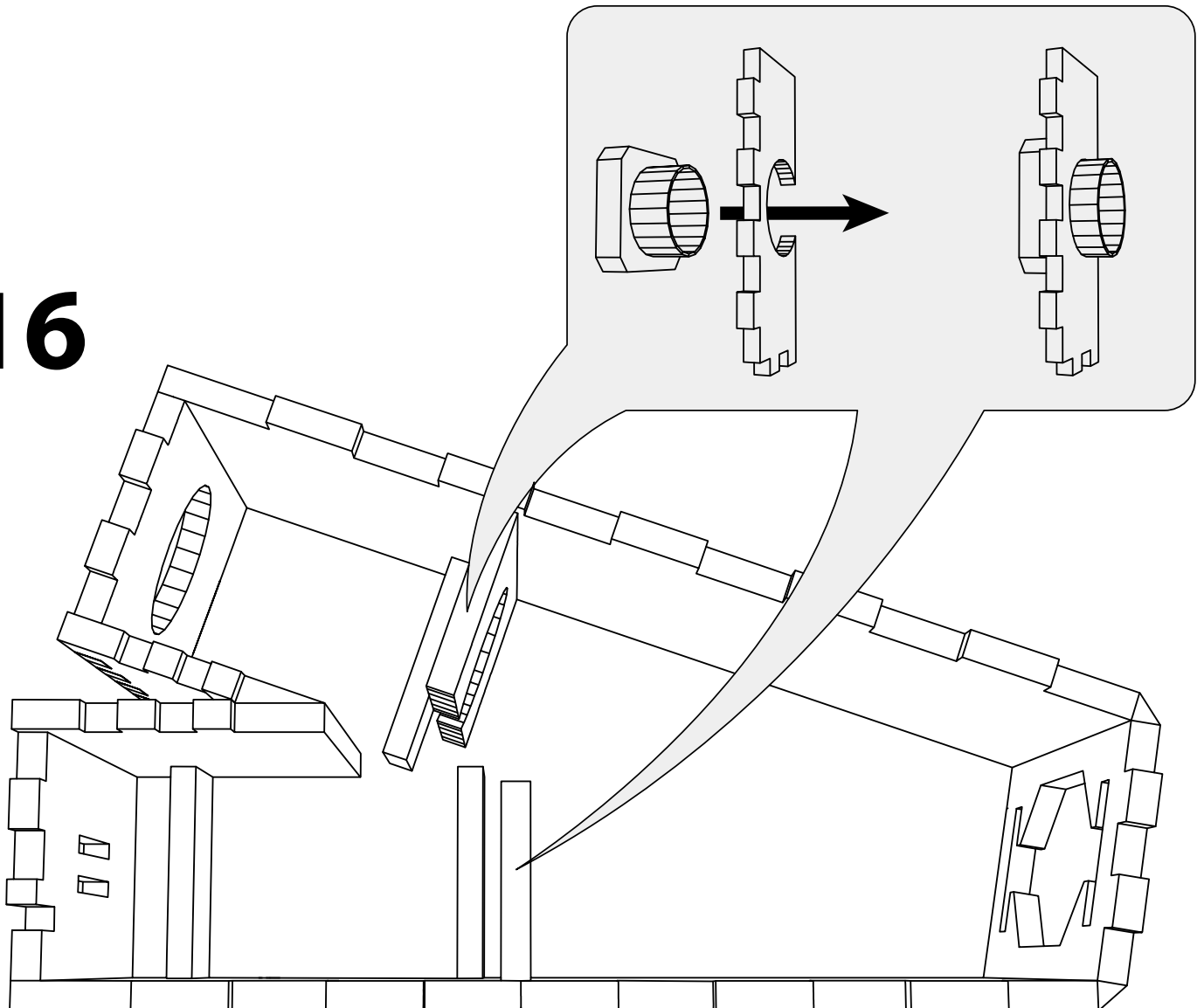
14



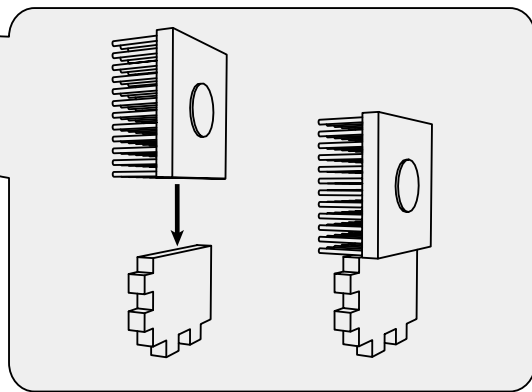
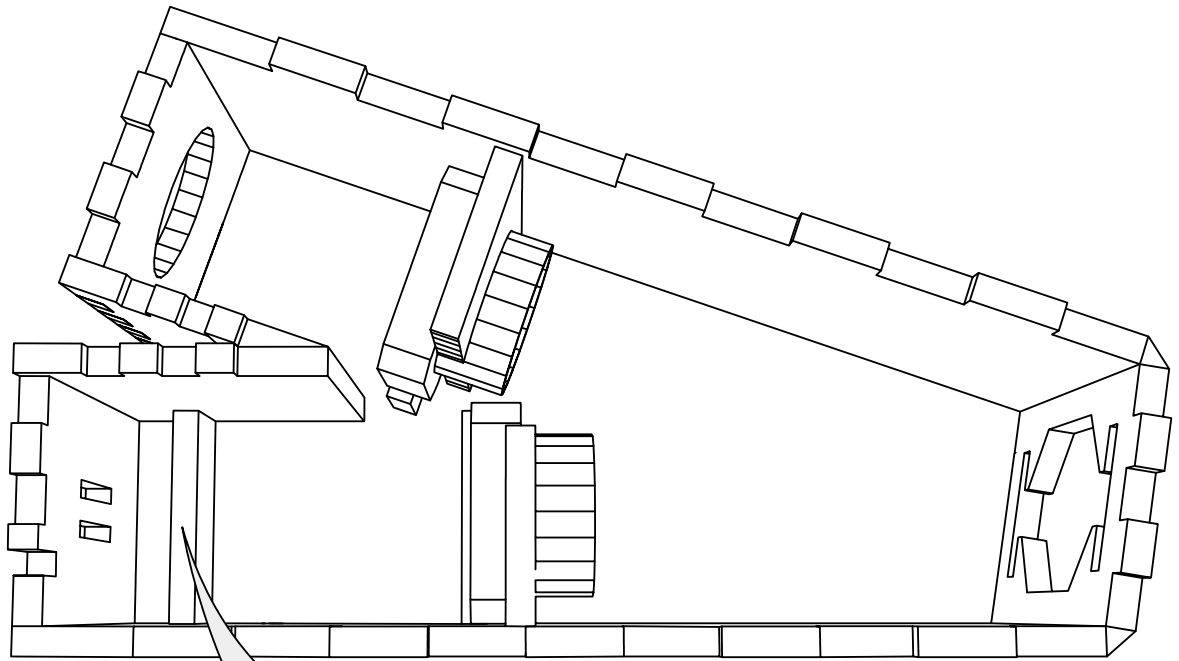
15



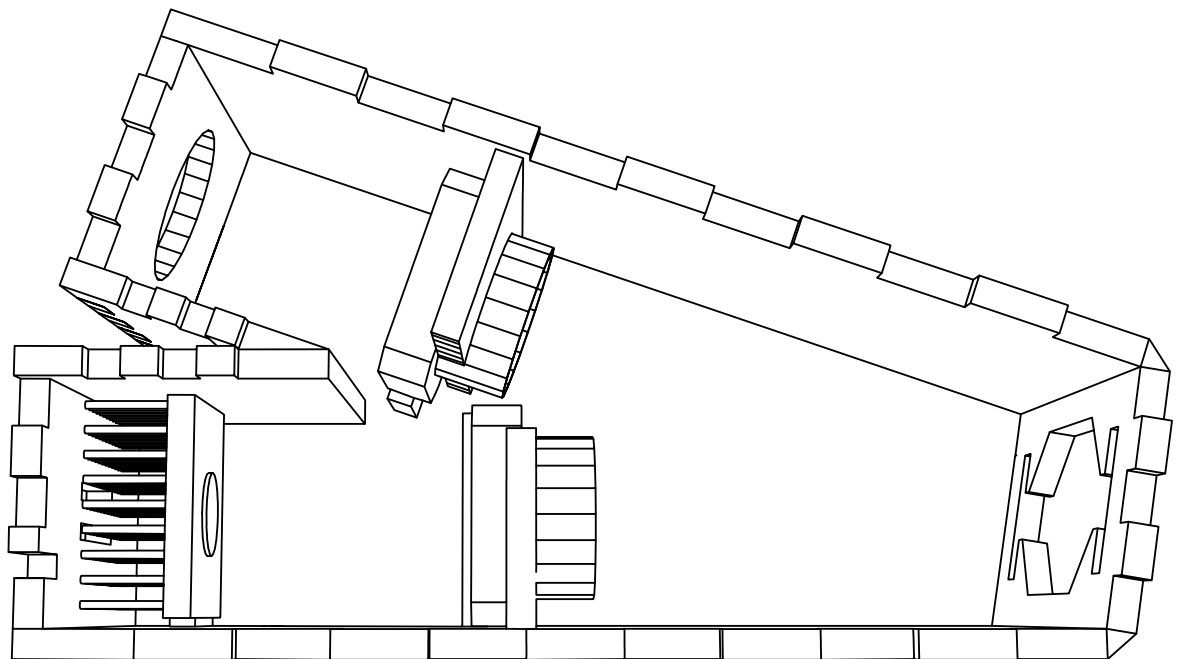
16



17



18



19

